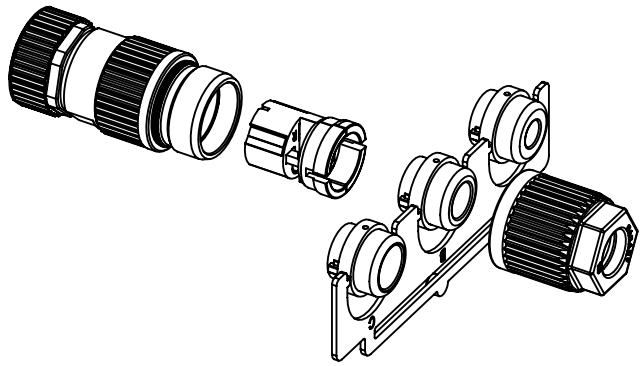
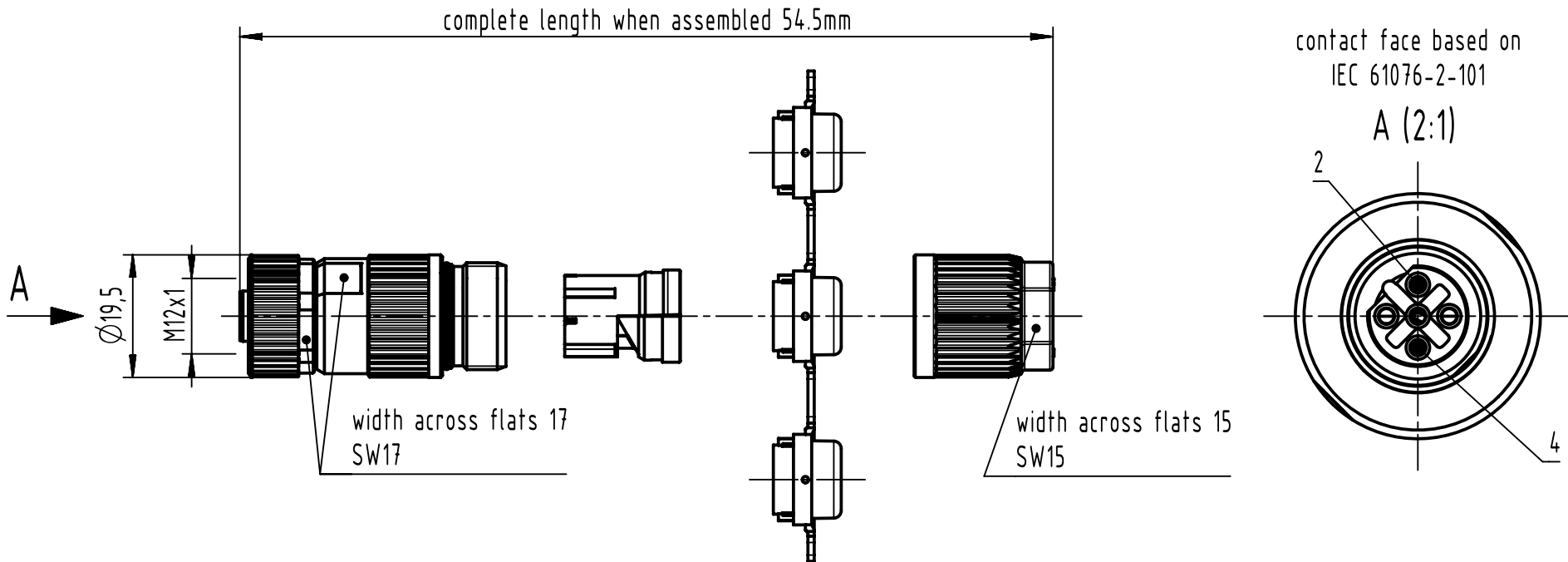


1 2 3 4 5 6

A
B
C
D



cable outside diameter	conductor cross section
4,5mm - 8,8mm	AWG26 - AWG22 0,14mm ² - 0,34mm ²

	All rights reserved Department EL PD	All Dimensions in mm Original Size DIN A4	Scale 1:1	Free size tol.	Ref. Sub.	
		HARTING D-32339 Espelkamp	Created by 104122	Inspected by 104125	Standardisation	Date 2022-07-22
Title M12-L-CC-IDC-2P-BCOD-F-STR-SHLD					Doc-Key / ECM-Nr. 100195415/UGD/002/L 500000221579	
			Type TB	Number 21032412301	Rev. L	Page 1/1